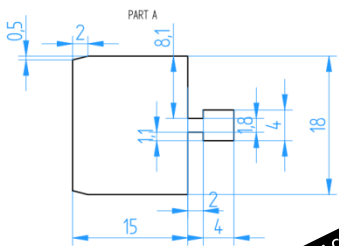
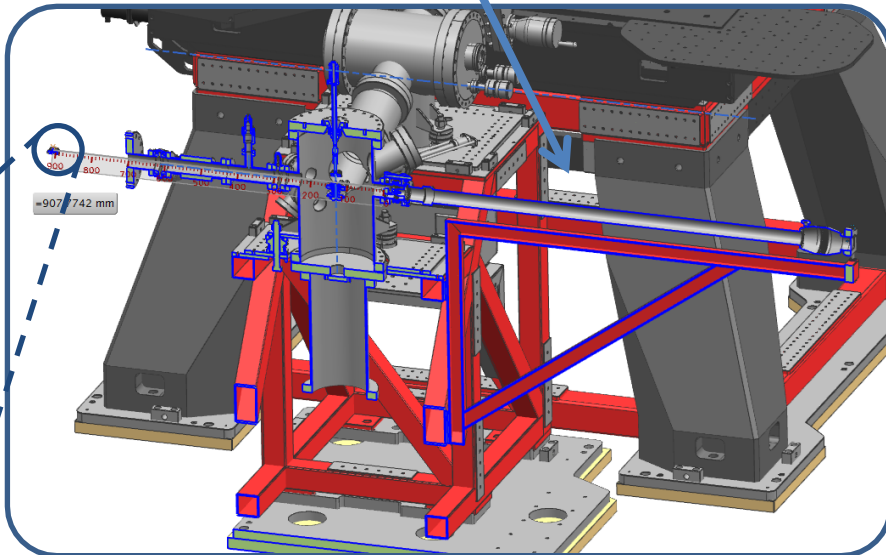


The docking port on the central distribution chamber of the UHV-SPTR system

The magnetic driven arm as a total excursion of 910 mm, allowing a penetration distance from the docking port of about 500 mm



User catching tool

The traveler attached to the magnetic arm offers the “spoon” of the sample plate to the docked chamber allowing users to directly catch the omicron-like sample plate spoon

Please remember to contact the BL staff during proposal writing if you are willing to bring your chamber to be docked to the UHV-SPTR!!